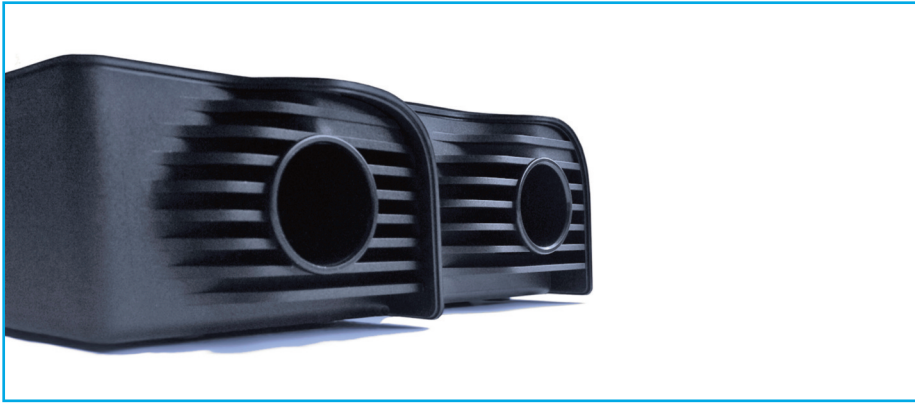


MicroLED 100T Lightsource

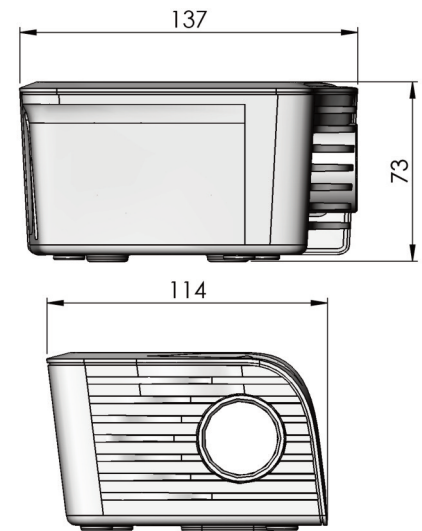


A small, silent fibre optic light source powered by LED technology.

Manufactured from durable ABS, this range is available in a choice of 3 colours - black, white or silver.

The MicroLED 100T utilises a white light LED array and is suitable for use with either glass or PMMA fibre.

An inbuilt twinkle wheel allows for the creation of sparkling light effects.



| Description | Details |
|--------------------------------|--------------------------------|
| Port connector size | 30mm |
| Fibre type | Glass/PMMA |
| Supply voltage | 100 - 240V AC, 50/60 Hz |
| PSU Output | 12DC, 1.5A, 18W Maximum |
| Power Consumption | 9W |
| LED Power | 3W |
| Min Ambient Temperature | -10°C |
| Max Ambient Temperature | +45°C |
| Power Connection | 2.1 x 5.5 x 12mm |
| LED Type / Effects | White Light with Twinkle Wheel |
| LED Life | 50,000 hours in ambient 25°C |
| Operating environment | Indoor / dry |
| Material | ABS |
| Size | (L)137mm x(W) 114mm x (H)73mm |
| Weight with PSU | 480.3 g |

Like all our range, this light source is undergoing constant improvements and upgrades, so we reserve the right to alter specifications as required.